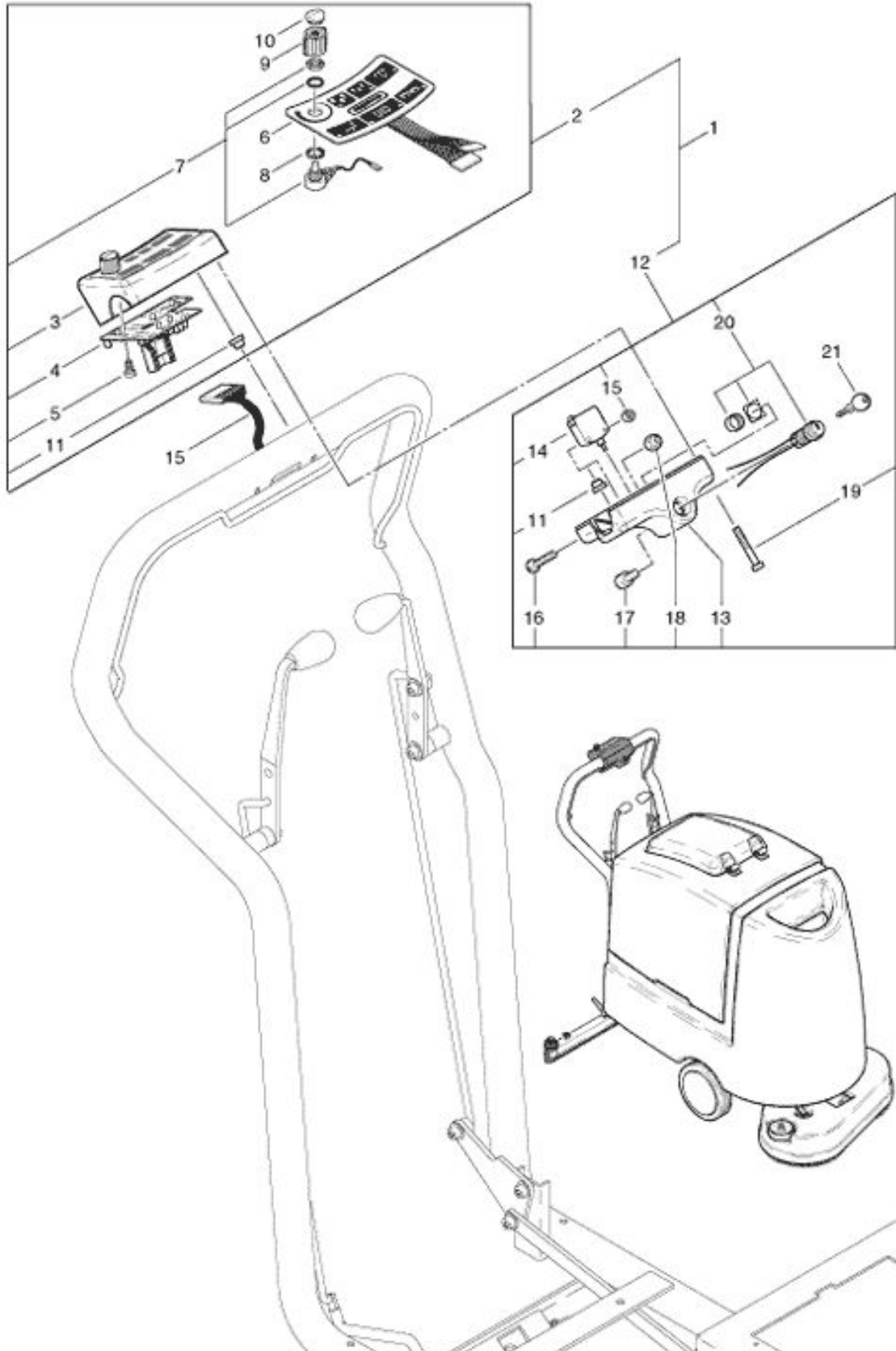


**RA 560 B**  
**Controls box**

As at: 11/14/11 Time:11:32



# RA 560 B

## Controls box

As at: 11/14/11 Time:11:32

<b>Pos.</b>	<b>Description</b>	<b>Reference</b>
01	Control box complete including items 2+12	560.321
02	Control box (top) complete including items Pos. 3-11	560.326
03	Controls box (top)	530.226
04	Operating print	560.366
05	Screw 2,9x9,5	P...483 H
06		560.367
07	Potential meter 10 kOhm	560.370
08	Serrated lock washer M 10	P...498 O
09		560.372
10	Cover	560.373
11	Twist protection	710.314
12	Control box (lower part) cpl. incl. Items 11+13-20	560.328
13	Control box (lower part)	530.221
14	Safety switch compl.	560.380
15	Nut M 4	P...492 D
16	Pan head screw M 4x20	P...475 F
17	Hexagon socket screw M 5x8	P...488 E
18	Stopp-nut M 5	P...493 G
19	PT-screw KA 30x25	P...516 B
20	Key switch compl.	560.361
21	Replacement key	P...244 B
22	Harness for electronics	560.761