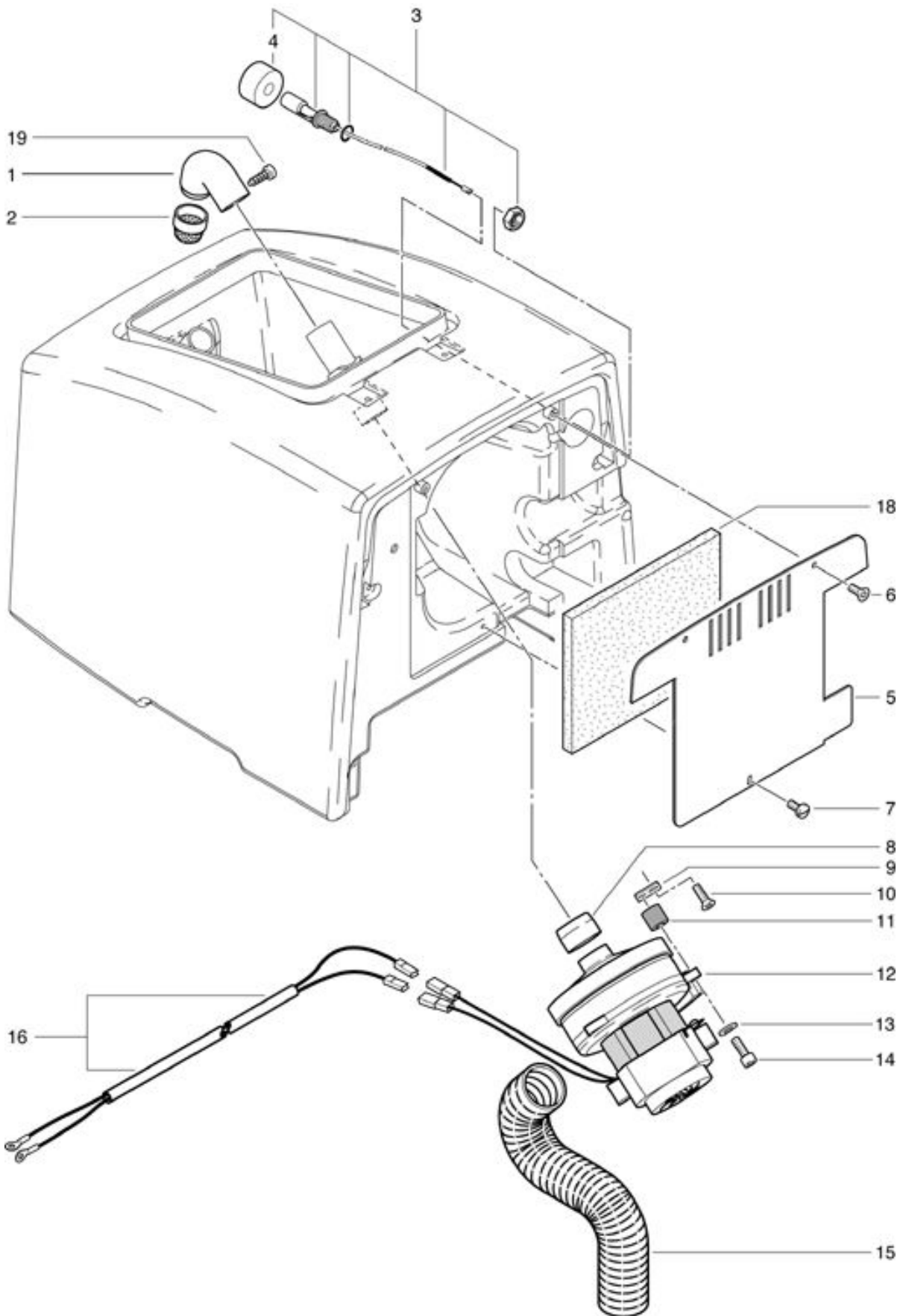


RA 560 B
Vacuum motor assembling

As at: 11/14/11 Time:11:33



RA 560 B

Vacuum motor assembling

As at: 11/14/11 Time:11:33

Pos.	Description	Reference
01	Angled tube joint	560.674
02	Filter	400.766 A
03	Level sensor compl.	560.669
04	Float	560.670
05	Cover to blower	560.671
06	Sinking screw M 6x8	P...480 K
07	Pan - head screw M 6x12	P...475 T
08	Seal to blower	560.667
09	Fixing plate	560.675
10	Sinking screw M 6x12	P...487 U
11	Rubber buffer 20x20	790.079
12	Vacuum motor cpl. 24V	560.666
13	Washer M 6	P...496 L
14	Hexagon screw M 6x16	P...487 W
15	Drain hose 750 mm	560.230
16	Wiring harness compl.	560.765
18	Noise absorbing canal	560.672
19	Screw	P...482 M