



DNR Hood True Day/Night Weather-proof IR Camera

DC Auto Iris Varifocal Lens(5mm-50mm) / Super ø10 IR LED Built-in 15 pcs
 DC Auto Iris Varifocal Lens(4mm-9mm) / IR LED Built-in 56 pcs



HD-D500
 560TV Lines
 DC Auto Iris Varifocal Lens(5mm-50mm)
 IR Day/Night Capability
 850nm IR LEDs*15pcs(ø10)

HD-D500TDN
 560TV Lines
 DC Auto Iris Varifocal Lens(5mm-50mm)
 True Day/Night Capability
 ICR-IR Cut Filter Removable
 850nm IR LEDs*15pcs(ø10)



HD-D503NW
 560TV Lines
 DC Auto Iris Varifocal Lens(4mm-9mm)
 IR Day/Night Capability
 850nm IR LEDs*56pcs

HD-D503NWT
 560TV Lines
 DC Auto Iris Varifocal Lens(4mm-9mm)
 True Day/Night Capability
 ICR-IR Cut Filter Removable
 850nm IR LEDs*56pcs



True Day & Night
 (ICR-IR Cut Filter Removable)

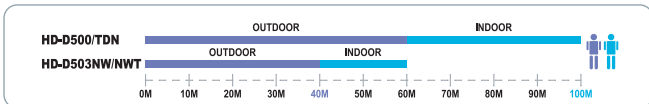


Wired Remote Controller(Optional)



OSD

Built-in 15pcs of ø10 / 56 IR LEDs, it can capture clear images as far as 40~100m away even completely darkness.



1/3" CCD	DAY & NIGHT	NIGHT FILTER CHANGE	Minimum Illumination 0.0006Lux	Auto White Balance	Sensitivity Up 2 x-128 x	BLC Backlight Compensation
High Speed Shutter	Motion Detection	OSD	DC VIDEO LEDS	560 Horizontal Resolution	Anti Vandal Hood Camera	IP65 Protection
						DC 12V / AC 24V

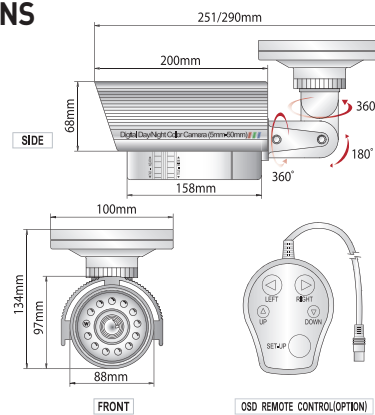
GENERAL FEATURES

- Third-Generation DSP Chip • 1/3" Sony Super HAD CCD
- Removed Noise. Ghosting Effect with DNR • True Day & Night (ICR-IR Cut Filter Removable)
- External Control Rings for Easy Focus & Distance Adjustment
- Highest Resolution: Vivid Sharp Picture in completely darkness
- DC Auto Iris Varifocal Lens(2.8mm-12mm), (3.5mm-16mm), (9mm-22mm), (6mm-50mm)-Option
- Dual Power(AC 24V/DC 12V)-Option • OSD Remote Control-Option

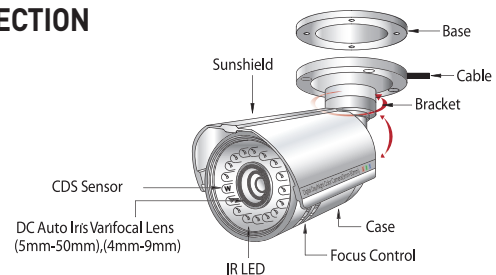
SPECIFICATIONS

MODEL	HD-D500/D500TDN HD-D503NW/D503NWT
Image Pick-Up Device	1/3" SONY SUPER HAD CCD
TV System	NTSC, PAL
Total Pixels	NTSC=811(H) * 508(V) / PAL=795(H) * 596(V)
Effective Pixels	NTSC=768(H) * 494(V) / PAL=752(H) * 582(V)
Scanning Frequency	NTSC=15.734KHz(H) / 59.94Hz(V) / PAL=15.625KHz(H) / 50.00Hz(V)
Scanning System	2:1 Interlace
Synchronization	Internal
Resolution	560TV Lines
Minimum Illumination	IR LED OFF:0.1Lux / IR LED ON:0.0006Lux
S/N Ratio	More than 50dB
White Balance	ATW/AWBC/MANUAL(1800°K ~ 10,500°K)
Gamma Characteristic	γ=0.45
Video Output	CVBS : 1.0Vp-p 75ohm
Electronic Shutter Speed	NTSC=Auto/Manual(1/60sec-1/120,000sec) / PAL=Auto/Manual(1/50sec-1/120,000sec)
OSD	Built-in
BLC	Low, Middle, High, Off Selectable
AGC	Low, Middle, High, Off Selectable
DNR	Low, Middle, High, Off Selectable
Day&Night(Color)	On/Auto Selectable (Electrical)
Sharpness	On/Off (Level Adjustable)
Privacy	On/Off (4 Programmable Zone)
Power Supply	DC 12V
Power Consumption	IR LED ON:800mA Max / IR LED OFF:600mA Max
Lens	DC Auto Iris Varifocal Lens(5mm-50mm), (4mm-9mm)
Operational Temp.	-10 ~ +50 Deg C. RH 95% Max.
Storage Temp.	-20 ~ +60 Deg C. RH 95% Max.
Dimension	100mm(W) * 134mm(H) * 290mm(D) / 100mm(W) * 134mm(H) * 251mm(D)
Weight	2000g / 1700g

DIMENSIONS



CONNECTION



3-Axis